



# Kalorina series 24

## Hot air generator



# KALORINA series 24 E / Hot air generator

## Pellet

### FUELS

---

Wood pellets

---

Wood

---

Olive husk

---

Marc of olives

---

Minced shells



REMOTE ASSISTANCE  
REMOTE CONTROL  
REMOTE ALARMS

---

On the control panel there is a USB port for PC connection through internet.

A technical can interact with your boiler and makes all the necessary settings.

---

## THE RIGHT CHOISE FOR YOUR ENERGY CONSERVATION

**Range:** from 29 to 2,5 MW of thermal output power.

The need to heat big spaces without the use of too expensive traditional heating systems has led us to design the hot air generator, KALORINA K 24 E, with automatic feed that uses alternative wood pellets and firewood energy.

An advanced system that allows the use of different fuels, ideal for heating large rooms, halls, gyms, garages, greenhouses, industrial buildings, or to be connected to your drying plants.

These thermal systems are successful in all applications where the ease of use, ease of installation combined with the savings energy are essential components for a successful heating system.

The wide range of available powers and the possibility to customize the products can satisfy all needs of heating.

*Electro fan**Heat exchanger**Air Vents**Anti-fire kit (standard)***Details and advantages of the system:****Intelligent: the modular design**

that requires few and simple operations of assembly, provides great flexibility in the installation and allows easy technical assistance.

**Revolutionary: the combustion chamber** with a new geometry and the CCS (Clean Combustion System) ensures high optimal efficiency and emission levels

**Excellent: the heat exchanger,** economizer, with horizontal tubes smoke, allows the maximum air thermal efficiency through an appropriate size and its geometry.

**Uniform: the diffusion of air,** through the full range of accessories allow diffusion of air through adjustable vents, or outlet, for a rapid and efficient heating

**Optimal: the adjustment,** through the electronic management system, with Self-diagnosis, display for reporting anomalies, allows the system adapting the power to the energy needs of the plant.

**Automatic: the ash removal** in the combustion chamber that provides an optimal combustion and reduces maintenance (standard for big powers).

**Convenient: the management of the plant,** remote support via PC Modem SMS commands from your phone (optional).

**Maximum security system** to ensure the optimum use and the maximum reliability.



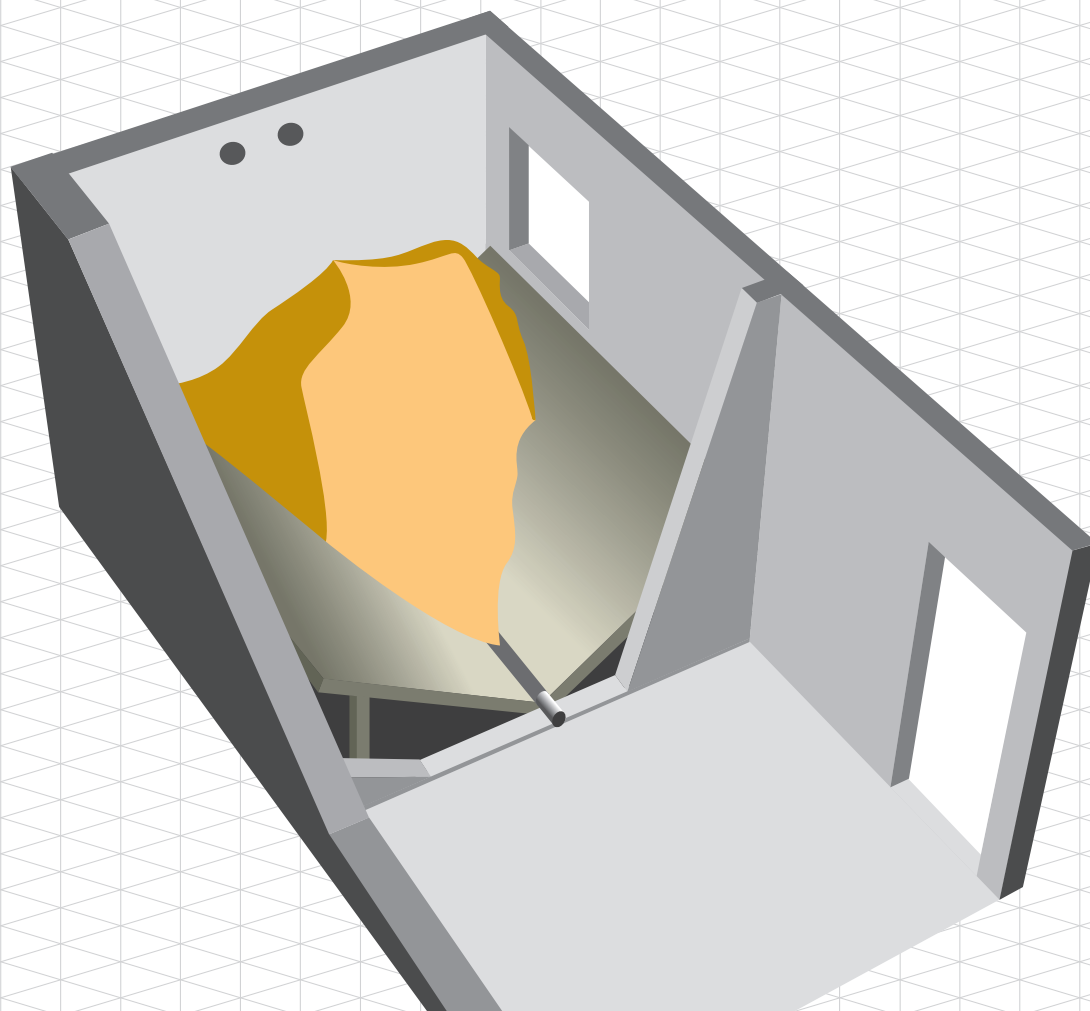
## THE IDEAL SOLUTION FOR EVERY APPLICATION

Kalorina series 24 / Hot air generator		K 2403 E	K 2404 E	K 2406 E	K 2408 E	K 2410 E
Nominale power	kW	29	46	69	93	115
Maximum allowable working pressure	°C	85	85	85	85	85
Nominal voltage	V	230	230	230	380	380
Nominal current	A	10,55	10,55	13,85	12,85	10,85
Nominal frequency	Hz	50-60	50-60	50-60	50-60	50-60
Nominal power output	W	1210	1210	1720	2120	2120
Aria flow	m <sup>3</sup> /h	3360	3360	4550	4970	6160/8050
Dimensions mm	width	1461	1461	1461	1461	1461
	depth	1342	1342	1610	1810	2110
	height	1806	1806	1924	1924	1924
Chimney flue	Ø mm	200	200	200	200	250

---

# STORAGE/EXTRACTION SYSTEMS

---



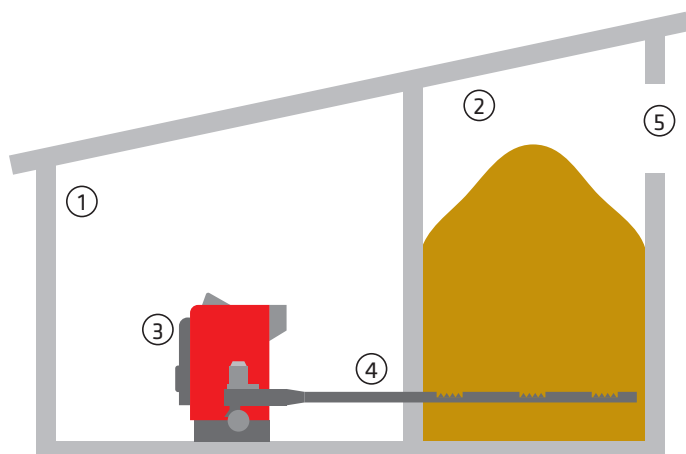
## Storage for pellet / wood chips

The stock is the classic solution for storing the fuel and having a greater autonomy.

The best extraction technique depends on the requirements of your home. Our extraction systems are: the adjustable feeder, the auger or the spring transport system.

---

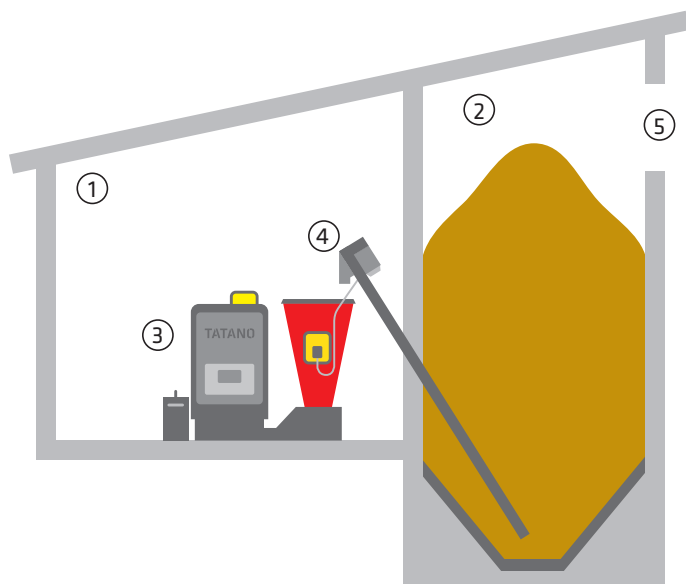
# Systems for extraction



## Extraction by adjustable feeder.

The storage is located near the boiler compartment.

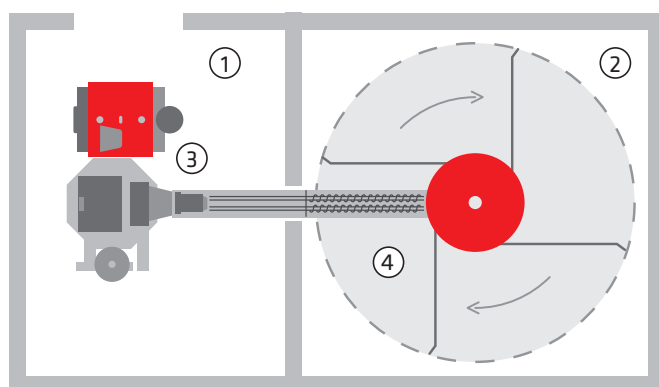
- 1 Boiler compartment
- 2 Fuel storage hopper
- 3 Biomass boiler
- 4 Adjustable feeder
- 5 Trapdoor loading fuel



## Extraction by motorized auger.

The storage is located near the boiler compartment or underground.

- 1 Boiler compartment
- 2 Fuel storage hopper
- 3 Biomass boiler
- 4 Motorized auger complete with sensor for fuel level
- 5 Trapdoor loading fuel



## Extraction by leaf spring agitator.

The storage is located near the boiler room.

- 1 Boiler compartment
- 2 Fuel storage hopper
- 3 Biomass boiler
- 4 Transport system



Boilers  
made in Italy



**TATANO s.n.c.**

Zona ind.le / Scalo ferroviario  
92022 Cammarata (Ag), Italy

Via F. Cassoli, 29  
29122 Piacenza, Italy

*Biomass boilers*  
*Solar system*

Tel. +39 0922 901376  
Fax +39 0922 902600

Tel. +39 0523 609788  
Fax +39 0523 574274

tatano@tatano.it  
**www.tatano.it**