



KALORINO KS WOOD

TATANO
energie rinnovabili



**CALDAIE A BIOMASSA
SISTEMI SOLARI**

Zona ind.le - Scalo ferroviario
92022 Cammarata (Ag)
Tel. +39 0922 901376
E-mail: tatano@tatano.it
www.tatano.it

BOILER MODEL				KS MEDIUM
Carrier Fluid				Water
Rated Power		<i>kW</i>		24
Nominal Power		<i>kW</i>		22,0
Thermal Power on water		<i>kW</i>		18,7
Thermal Power yield in the environment		<i>kW</i>		3
Efficiency		%		89

COSTRUCTION DATA ⁽¹⁾

Dimensions with standard hopper	<i>Width</i>	<i>mm</i>	(A)	726
	<i>Depth</i>	<i>mm</i>	(B)	726
	<i>Height</i>	<i>mm</i>	(C)	1685
Dimensions for the opening of the door for cleaning		<i>mm</i>	(L)	547
Loading Door dimensions	<i>Width</i>	<i>mm</i>	(H)	630
	<i>Height</i>	<i>mm</i>	(I)	550
Door features	Door with vertical motorized opening and closing, with hermetic seal and tempered glass resistant to high temperatures			
Weight		<i>Kg</i>		260
Chimney diameter		\emptyset <i>mm</i>	(R)	250
Diameter of the air intake pipe from the outside		\emptyset <i>mm</i>	(S)	100

HYDRAULIC DATA

Max working pressure		<i>Bar</i>		3
Max working temperature		$^{\circ}\text{C}$		90
Boiler water content		<i>liters</i>		94
Sleeves UNI/DIN EN 10241- ST 37	<i>Delivery</i>	\emptyset <i>mm</i>	(O)	DN 25 V (1")
	<i>Return</i>	\emptyset <i>mm</i>	(P)	DN 25 V (1")
	<i>Expansion tank</i>	\emptyset <i>mm</i>	(Q)	DN 25 V (1")
	<i>Heat sink</i>	\emptyset <i>mm</i>	(K)	DN 14
Loading drop in the water side 20 k		<i>mbar</i>		8

OPERATING DATA

Draught Pressure		<i>Pa</i>		20 \pm (30%)
Smoke temperature		$^{\circ}\text{C}$		180 \pm (20%)
Ventilation flow setting				Manual
Fuel feeding system				Manual
Ash discharge system of the chimney flue				Manual
Ash discharge system from the combustion chamber				Manual

FUELS

Fuel with W < 15%			Wood (EN 14961-5)
	Wood max		450 mm

REFERENCE FUEL

WOOD⁽²⁾

Consumption with nominal power		kg/h	5,9
Consumption with reduced power		kg/h	2,0
Smoke flow with nominal power		Nm³/h	57,7
Smoke flow with reduced power		Nm³/h	17,0

ELECTRICAL DATA⁽³⁾

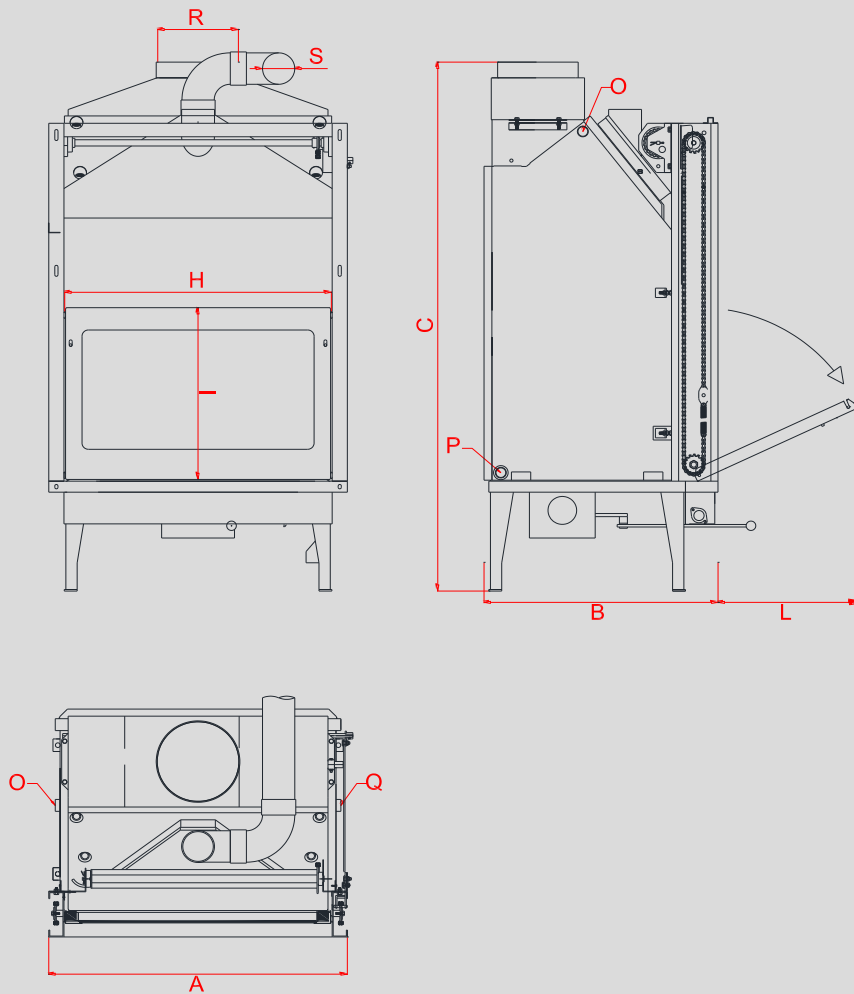
Control panel			Modulating digital electronic thermoregulator complete with main switch, manual reset thermostat, light indicators
Ignition			Manual
Installed electric power		W	232
Average power input		W	116
Rated Voltage		V	230
Nominal frequency		Hz	50
Nominal current		A	1,01

SECURITY SYSTEM

				Programming pump anti-blocking
				Signal lamp for regular operation
				Antifreeze function
Reporting of operating errors				Through visual and/or acoustic alarms

SECURITY SYSTEM

Air intake pipe				Mandatory connection with the outside
Maintenance spaces	Leave adequate space for proper maintenance/inspection of mechanical and electrical parts: right and left chain for vertical door opening and closing.			



(1) The dimensions can vary according to choices of constructive nature

(2) The data concerning consumption may vary according to the characteristics of the fuel used, or for the operating conditions.

(3) Data may vary according to the electrical components installed (motors, fans, etc.). The actual data will be shown on the plate attached to the boiler.

The company reserves the right to change dimensions and features without prior notice, declines all responsibility for errors in transcription or printing.