



# KALORINA K 25 E



**CALDAIE A BIOMASSA  
SISTEMI SOLARI**  
Zona industriale - Scalo ferroviario  
92032 Cammarata (AG)  
Tel. +39 0922 901375  
E-mail: tatano@tatano.it  
[www.tatano.it](http://www.tatano.it)

BOILER MODEL			K 25 10 E
Generator type			Smoke tubes
Carrier Fluid			Air
Rated Power		<i>kW</i>	115
Nominal Power		<i>kW</i>	104
Reduced Power		<i>kW</i>	31
Efficiency	<i>min</i>	%	88
	<i>max</i>	%	92

## CONSTRUCTION DATA <sup>(1)</sup>

Dimensions with standard hopper	<i>Width</i>	<i>mm</i>	(A)	1848
	<i>Depth</i>	<i>mm</i>	(B)	2100
	<i>Height with blower</i>	<i>mm</i>	(C)	1924
	<i>Height with blower</i>	<i>mm</i>	C1	1454
Dimensions for the opening of the door for cleaning		<i>mm</i>	(L)	390
Loading Door dimensions	<i>Width</i>	<i>mm</i>	(H)	370
	<i>Height</i>	<i>mm</i>	(I)	220
Standard hopper volume		<i>litres</i>	(N)	380
Internal dimensions for the adjustable nozzles flanges	<i>Width</i>	<i>mm</i>	(O)	400
	<i>Depth</i>	<i>mm</i>	(P)	400
Weight		<i>Kg</i>		920
Chimney diameter		$\emptyset$ <i>mm</i>	(R)	250

## FAN FEATURES

Motor nominal power		<i>W</i>		3000
Nominal frequency		<i>Hz</i>		50
Max absorbed power		<i>A</i>		6,2
Engine rounds		<i>RPM</i>		1455
Air flow with free outlet		<i>m<sup>3</sup>/h</i>		11500
Sound pressure		<i>db</i>		84

## OPERATING DATA

Max working temperature		$^{\circ}$ <i>C</i>		85
Air flow		<i>m<sup>3</sup>/h</i>		8050
Working pressure		<i>Pa</i>		200
Draught Pressure		<i>Pa</i>		20 $\pm$ (30%)
Smoke temperature		$^{\circ}$ <i>C</i>		180 $\pm$ (20%)
Fuel flow setting				Electronic modulating
Ventilation flow setting				Electronic modulating

## FUELS

Recommended class			WOOD PELLETT (EN 14961-4)
Fuel with W < 15%			Wood Pellet (EN 14961-2), Sawdust (EN 14961-3), Olive husks, Minced shells and Cereals waste (EN 14961-6), Wood (EN 14961-5)
	Wood max		930mm

## REFERENCE FUEL

### CHIPS<sup>(2)</sup>

Consumption with nominal power		kg/h	30,2
Consumption with reduced power		kg/h	9,1
Smoke flow with nominal power		Nm <sup>3</sup> /h	277,0
Smoke flow with reduced power		Nm <sup>3</sup> /h	83,0

## ELECTRICAL DATA <sup>(3)</sup>

Control panel			Modulating digital electronic thermoregulator complete with main switch, manual reset thermostat, light indicators
Ignition			Electronical through resistor 250 W, 230 V, 1 A
Max absorbed electrical power		W	4160
Average power input		W	1955
Rated Voltage		V	400
Nominal frequency		Hz	50
Nominal current		A	13,1

## ARRANGEMENTS

Antifire valve application			Through threaded sleeves DN 20
Room thermostat			Output connection

## OPTIONAL

Remote Control\Remote Assistance			Wifi module
----------------------------------	--	--	-------------

## OBLIGATORY FOR THE INSTALLATION

			Detection valve for gaseous flows
			Fire dampers and expulsion damper
			External room air intake

## SECURITY SYSTEM

### Signaling, control and boiler stop

Through boiler probe and smoke probe

Manual resetting thermostat

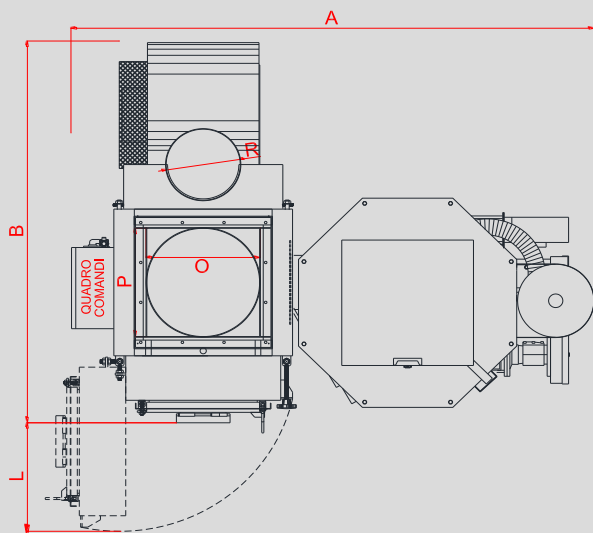
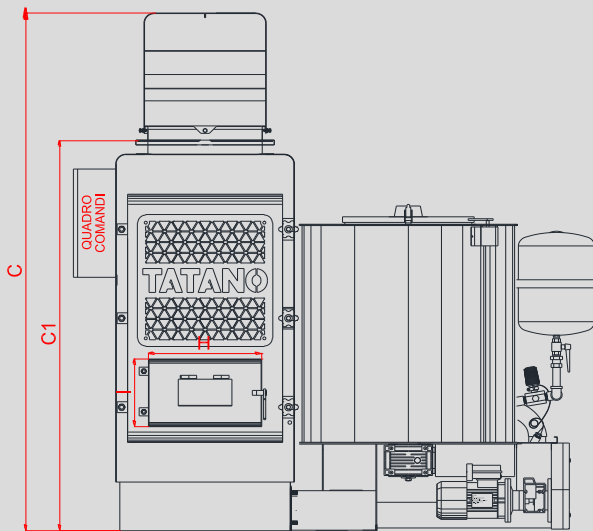
Boiler block for open hatch

Fuel level sensor

Antifire system

### Reporting of operating errors

Through visual and/or acoustic alarms



(1) The dimensions may vary depending on the position of the hopper(right-left-rear) or in addition of optional accessories or for constructive choices.

(2) The data concerning consumption may vary according to the characteristics of the fuel used, or for the operating conditions.

(3) Data may vary according to the electrical components installed (motors, fans, etc.). The actual data will be shown on the plate attached to the boiler.

The company reserves the right to change dimensions and features without prior notice, declines all responsibility for errors in transcription or printing.