



KALORINA K 21

TATANO
energie rinnovabili



**CALDAIE A BIOMASSA
SISTEMI SOLARI**

Zona ind.le - Scalo ferroviario
92022 Cammarata (Ag)
Tel. +39 0922 901376
E-mail: tatano@tatano.it
www.tatano.it

BOILER MODEL		K 21 03	
Generator type			Smoke tubes
Carrier Fluid			Water
Rated Power		<i>kW</i>	31
Nominal Power		<i>kW</i>	27
Reduced Power		<i>kW</i>	8
Efficiency	<i>min</i>	%	87
	<i>max</i>	%	92
Boiler class according to norm	<i>EN 303-5 : 1999</i>		3

CONSTRUCTION DATA ⁽¹⁾

Dimensions with standard hopper	<i>Width</i>	<i>mm</i>	(A)	860
	<i>Depth</i>	<i>mm</i>	(B)	980
	<i>Height</i>	<i>mm</i>	(C)	1178
Dimensions for the opening of the door for cleaning		<i>mm</i>	(L)	460
Loading Door dimensions	<i>Width</i>	<i>mm</i>	(H)	370
	<i>Height</i>	<i>mm</i>	(I)	220
Ash tray Volume		<i>litres</i>		14
Weight		<i>Kg</i>		344
Chimney diameter		\emptyset <i>mm</i>	(R)	200

HYDRAULIC DATA

Max working pressure		<i>Bar</i>		3
Max working temperature		$^{\circ}$ C		90
Boiler water content		<i>litres</i>		116
Sleeves UNI/DIN EN 10241- ST 37	<i>Delivery</i>	\emptyset <i>mm</i>	(O)	DN 50 V (2")
	<i>Return</i>	\emptyset <i>mm</i>	(P)	DN 40 V(1"1/2)
	<i>Expansion tank</i>	\emptyset <i>mm</i>	(Q)	DN 25 V (1")
	<i>Heat sink</i>	\emptyset <i>mm</i>	(K)	DN 14 V
Loading drop in the water side 20 k		<i>mbar</i>		4

OPERATING DATA

Draught Pressure		<i>Pa</i>		20 \pm (30%)
Smoke temperature		$^{\circ}$ C		180 \pm (20%)

FUELS

Recommended class			Wood (EN 14961-5)
Fuel with W < 15%			Wood (EN 14961-5)
	Wood max		430 mm

REFERENCE FUEL

WOOD⁽²⁾

Consumption with nominal power		kg/h	8,1
Consumption with reduced power		kg/h	2,4
Smoke flow with nominal power		Nm ³ /h	70,9
Smoke flow with reduced power		Nm ³ /h	21,0

ELECTRICAL DATA⁽³⁾

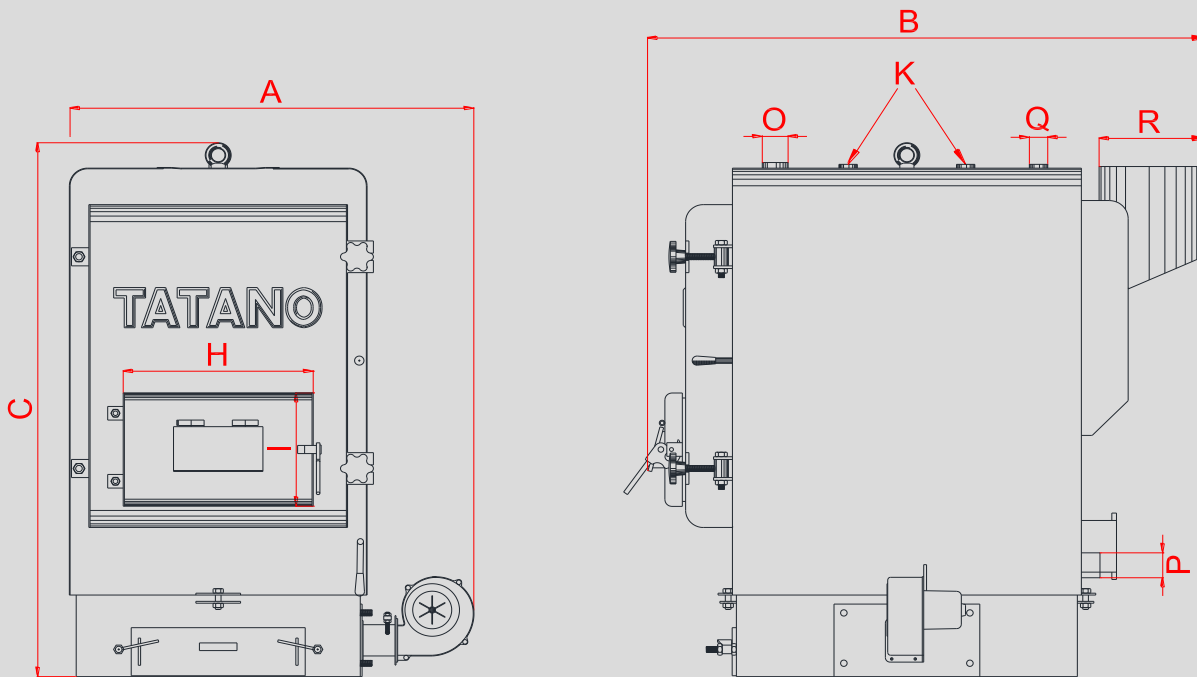
Control panel			With main switch, thermometer, Temperature thermostat, Manual resetting thermostat, light indicator
Ignition			Manual
Max absorbed electrical power		W	34
Average power input		W	17
Rated Voltage	Rated Voltage	V	230
Nominal frequency		Hz	50
Nominal current		A	0,15

ARRANGEMENTS

Burner connection			Gas and/or fluid fuels
Room thermostat			Output connection

SECURITY SYSTEM

				Manual resetting thermostat
				Signal lamp for regular operation
				Signal lamp for boiler blocked



(1) The dimensions can vary according to choices of constructive nature

(2) The data concerning consumption may vary according to the characteristics of the fuel used, or for the operating conditions.

(3) Data may vary according to the electrical components installed (motors, fans, etc.). The actual data will be shown on the plate attached to the boiler.

The company reserves the right to change dimensions and features without prior notice, declines all responsibility for errors in transcription or printing.